



P3501 Series Mini Water Pump

Application

- Water or oil circulation.
- Circulating systems for homes
- Dispenser .
- Water purifier machine .
- Coffe maker.
- Arts and Crafts Fountains ,etc.

Feature

- Closed impeller, high pressure..
- Ceramic sleeve and ceramic shaft ,Long life.
- Low noise.
- Meet FDA standards .
- Stall protection.
- Slipping protection etc.



Parameter

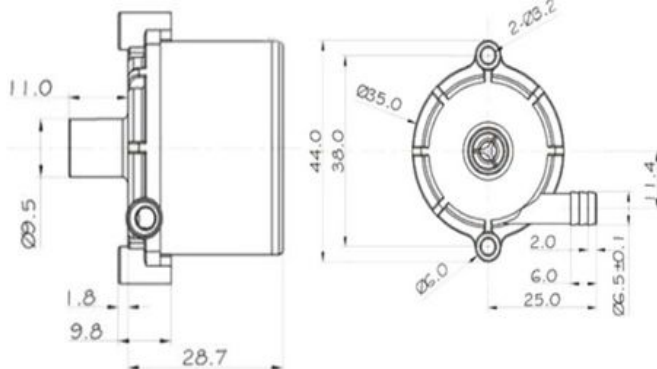
Parameter (only for reference, it can be customized)					
Model	Voltage	Rated Current	Max flow	Max head	Power
	V	A	L/H	M	W
P3501	5	0.6	60	1	2.5
	12	0.35	90	1.5	3.6
	24	0.35	120	2	4.5
	24	0.25	150	2.5	6
Remarks	The current above is open outlet current, when contact to circulation system the current will cut down to 55%~65% of Rated current.				

Specification

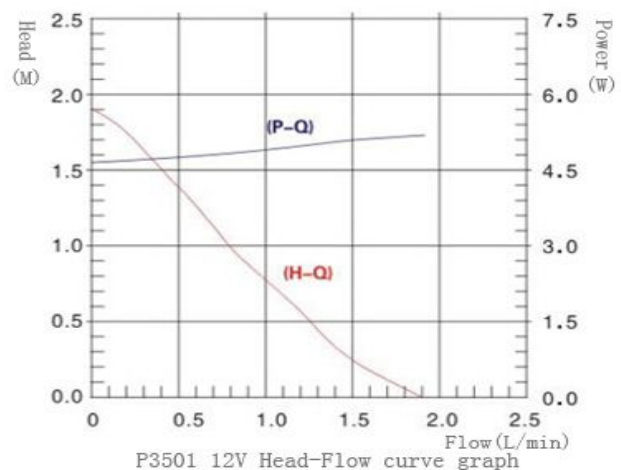
NO	Items	Specs
1	Sizes	39.7x44x42.5
2	Dimension of inlet	9.5mm
3	Dimension of outlet	6mm
4	Pump material	PPE
5	Condition of use	Continuously
6	Fluids	Water, [Provide acid and alkali solution]
7	Ambient temperature	-25~50°C
8	Max fluid temperature	80°C
9	Power consumption	2.5W~6W
10	Rated voltage	5V/12V/24Vdc
11	Voltage used	3.5V ~ 26.5Vdc
12	Noise	<35dB
13	Water proof class	IP66(Submersible installed optional)
14	Life span	More than 25000hrs
15	Power supply	Solar panel; DC electric source; battery

Notice

- Runs in the condition of the pump chamber without liquid is not allowed.
- Reversely connects the power polarity is not allowed.
- Filter measures should be taken when used in foul water environment.
- Runs in the acid and alkali environment is not allowed.
- Ambient temperature and fluid temperature should be within the rated temperature.



Dimension



Head-Flow curve graph