



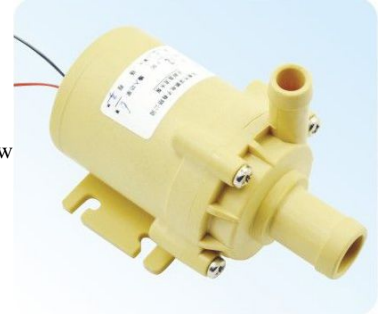
P3503 Series Mini Water Pump

Application

- Water or oil or mattress cooling circulation.
- Coffe maker.
- Circulating systems for homes.
- Juice machines.
- Aquarium and fountain.
- Dispenser .

Feature

- Can endure 100°C high temperature.
- Ceramic sleeve and ceramic shaft Long life Low noise.
- Meet FDA standards .
- Closed impeller, high pressure.
- Slipping protection ,stall protection.



Parameter

Parameter (only for reference, it can be customized)

Model	Voltage V	Rated Current A	Max flow L/H	Max head M	Power W
P3503	12	0.5	360	2	6
	12	0.7	420	3.5	8.5
	24	0.35	420	3.5	8.5
	24	0.5	480	5	12

Remarks The current above is open outlet current, when contact to circulation system the current will cut down to 55%~65% of Rated current.

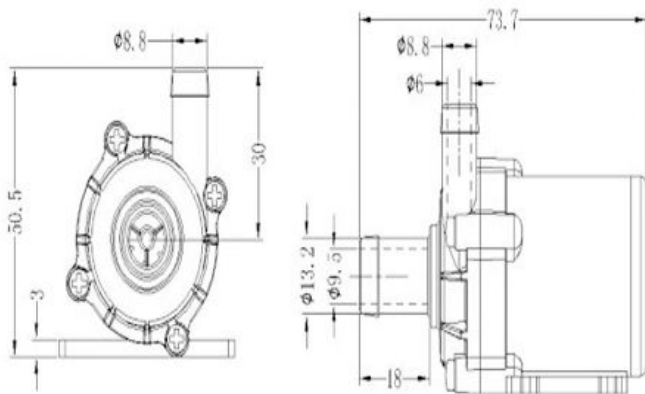
Notice

- Runs in the condition of the pump chamber without liquid is not allowed.
- Reversely connects the power polarity is not allowed.
- Filter measures should be taken when used in foul water environment.
- Runs in the acid and alkali environment is not allowed.
- Ambient temperature and fluid temperature should be within the rated temperature.

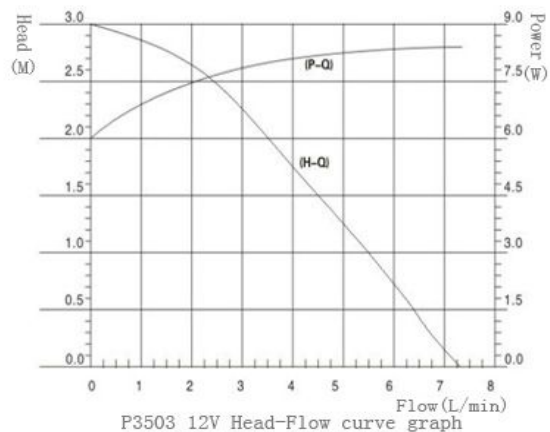
Specification

Specs

NO	Items	Specs
1	Sizes	73.7x45x50.5
2	Dimension of inlet	13.2mm
3	Dimension of outlet	8.8mm
4	Pump material	PPE
5	Condition of use	Continuously
6	Fluids	Water, oil [Provide acid and alkali solution]
7	Ambient temperature	-20~60°C
8	Max fluid temperature	0~100°C
9	Power consumption	6W~12W
10	Rated voltage	12V/24Vdc
11	Voltage used	9.5Vdc ~ 13.5Vdc or 12Vdc ~ 26.5Vdc
12	Noise	<45dB
13	Water proof class	IP68(Submersible installed optional)
14	Life span	More than 25000hrs
15	Power supply	Solar panel; DC electric source; battery



Dimension



Head-Flow curve graph