



## P4504 Series Mini Water Pump

### Application

- Laser cooling machine .
- CW3000 Chiller,
- Circulating systems for homes, RV's and boats.
- Laser cutting machine, Marking Machine, Engraving machine.
- Semiconductor , machine , medical water circulation ,etc.

### Feature

- Lack water protect function.
- Ceramic sleeve and ceramic shaft, long life.
- Stall protection ,over current protection.
- PWM/Manual speed control function [optional].
- EMC compatibility test passed, no harassment signal .



### Parameter

Parameter (only for reference, it can be customized)

Model	Voltage	Rated Current	Max flow	Max head	Power
	V	A	L/H	M	W
P4504	12	1	540	5	12
	24	0.5	540	5	12
	24	1.3	720	9	31.2

Remarks: The current above is open outlet current, when contact to circulation system the current will cut down to 55%~65% of Rated current.

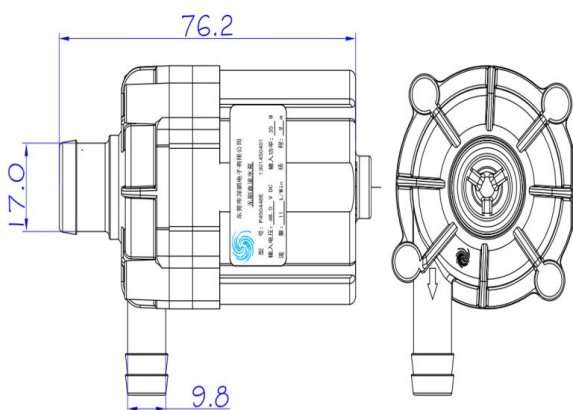
### Specification

Specs

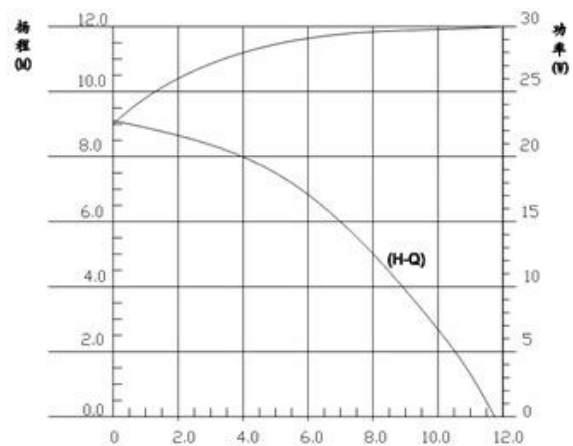
NO	Items	Specs
1	Sizes	76.2x46.8x59.4
2	Dimension of inlet	17mm
3	Dimension of outlet	9.8mm
4	Pump material	PPE
5	Condition of use	Continuously
6	Fluids	Water, oil [Provide acid and alkali solution]
7	Ambient temperature	-20~45℃
8	Max fluid temperature	60 ℃
9	Power consumption	12W~31.2W
10	Rated voltage	12V/24Vdc
11	Voltage used	10.8Vdc ~ 13.2Vdc or 21.6Vdc ~ 26.4Vdc
12	Noise	<35dB
13	Water proof class	IP68(Submersible installed optional)
14	Life span	More than 30000hrs
15	Power supply	Solar panel; DC electric source; battery

### Notice

- Runs in the condition of the pump chamber without liquid is not allowed.
- Reversely connects the power polarity is not allowed.
- Filter measures should be taken when used in foul water environment.
- Runs in the acid and alkali environment is not allowed.
- Ambient temperature and fluid temperature should be within the rated temperature.
- Only DC power can be used.



Dimension



P4504-24V/9m Characteristic Curve

Head-Flow curve graph