



P4520 Series Mini Water Pump

Application

- Solar water heater circulation.
- Domestic heat pump water heater.
- Pressure pipeline special pump.
- Pressure Tank circulation, water boost .
- Split solar water heater circulation.
- Other machine hot water circulation etc.

Feature

- Can endure 105°C high temperature,FG signal.
- Over temperature and over voltage protection.
- Can endure more than 0.8MPa pressure.
- Closed impeller,high pressure.
- EMC compatibility test passed, no harassment signal .



Parameter

Parameter (only for reference, it can be customized)

Model	Voltage	Rated Current	Max flow	Max head	Power
	V	A	L/H	M	W
P4520	12	0.65	420	3	8
	12	1.1	600	5	13.5
	24	0.325	420	3	8
	24	0.55	620	5	13.5

Remarks: The current above is open outlet current, when contact to circulation system the current will cut down to 55%~65% of Rated current.

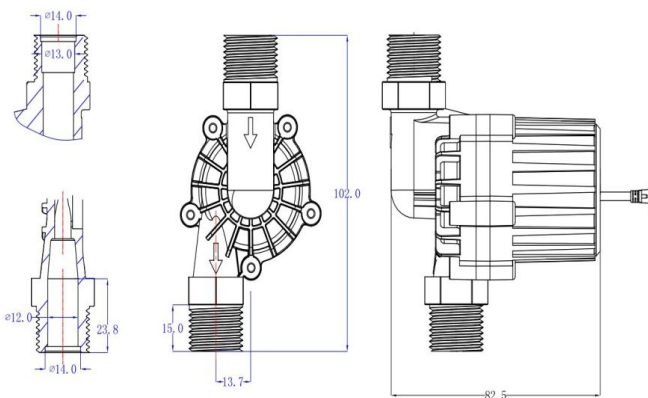
Specification

Specs

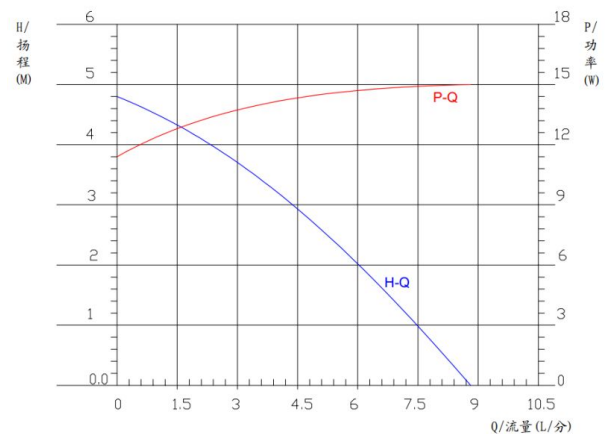
NO	Items	Specs
1	Sizes	8.5x102x52
2	Dimension of inlet	20.8mm
3	Dimension of outlet	20.8mm
4	Pump material	PPE
5	Condition of use	Continuously
6	Fluids	Water, anti-freeze fluid.
7	Ambient temperature	-25~70°C
8	Max fluid temperature	105°C
9	Power consumption	8W~13.5W
10	Rated voltage	12V/24Vdc
11	Voltage used	10.8Vdc ~ 13.2Vdc or 21.6Vdc ~ 26.4Vdc
12	Noise	<40dB
13	Water proof class	IP68(Submersible installed optional)
14	Life span	More than 20000hrs
15	Power supply	Solar panel; DC electric source; battery

Notice

- Runs in the condition of the pump chamber without liquid is not allowed.
- Reversely connects the power polarity is not allowed.
- Filter measures should be taken when used in foul water environment.
- Runs in the acid and alkali environment is not allowed.
- Ambient temperature and fluid temperature should be within the rated temperature.



Dimension



Head-Flow curve graph