



P4521 Series Mini Water Pump

Application

- Water or oil or hot water circulation.
- Solar water heaters
- Circulating systems for homes.
- Separate electric water heater .
- Communication base station cooling.
- hot-water machinery etc.

Feature

- Can endure 100°C high temperature.
- Over temperature, protection.
- Stall protection, Slipping protection .
- PWM speed control function optional.
- Inlet and outlet with the same direction, closed impeller,high pressure.



Parameter

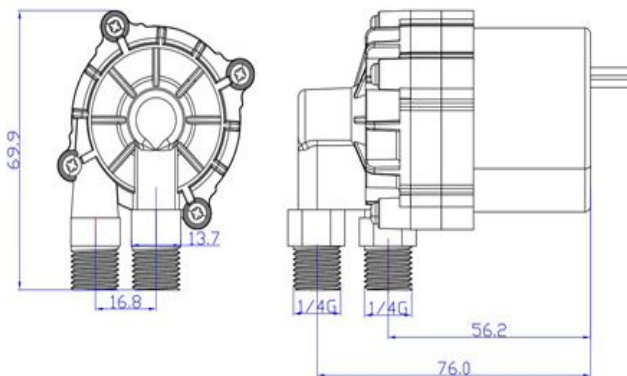
Parameter (only for reference, it can be customized)					
Model	Voltage	Rated Current	Max flow	Max head	Power
	V	A	L/H	M	W
P4521	12	0.65	420	3	8
	12	1.2	600	5	13.5
	24	0.33	420	3	8
	24	0.55	600	5	13.5
Remarks	The current above is open outlet current, when contact to circulation system the current will cut down to 55%~65% of Rated current.				

Specification

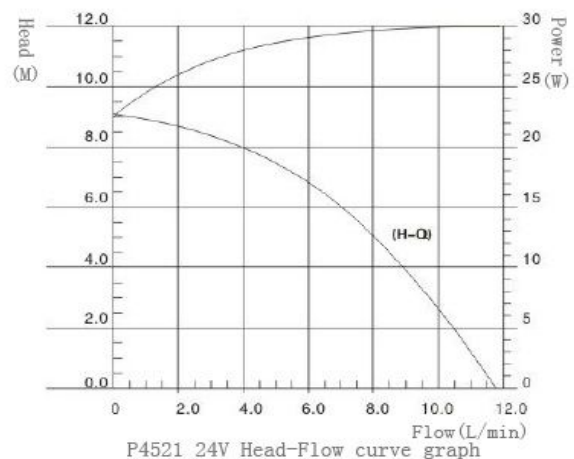
NO	Items	Specs
1	Sizes	81x110x52
2	Dimension of inlet	1/4 Thread
3	Dimension of outlet	1/4 Thread
4	Pump material	PPE
5	Condition of use	Continuously
6	Fluids	Water, anti-freeze fluid.
7	Ambient temperature	-25~80°C
8	Max fluid temperature	100°C
9	Power consumption	8W~13.5W
10	Rated voltage	12V/24Vdc
11	Voltage used	10.8Vdc ~ 13.2Vdc or 21.6Vdc ~ 26.4Vdc
12	Noise	<45dB
13	Water proof class	IP62(Submersible installed optional)
14	Life span	More than 25000hrs
15	Power supply	Solar panel; DC electric source; battery

Notice

- Runs in the condition of the pump chamber without liquid is not allowed.
- Reversely connects the power polarity is not allowed.
- Filter measures should be taken when used in foul water environment.
- Runs in the acid and alkali environment is not allowed.
- Ambient temperature and fluid temperature should be within the rated temperature.



Dimension



Head-Flow curve graph