



P5005 Series Mini Water Pump

Application

- Water or oil circulation.
- Gas water Heater
- Tankless water heaters .
- Instant electric water heater .
- Solar water heater.
- Other Water boost equipment etc.

Feature

- Can endure 80°C high temperature.
- Ceramic sleeve and ceramic shaft Long life
- Low noise.
- Closed impeller, high pressure.
- Stall protection.
- Slipping protection etc.



Parameter

Parameter (only for reference, it can be customized)

Model	Voltage V	Rated Current A	Max flow L/H	Max head M	Power w
P5005	12	1	280	4	12
	12	1.5	390	5.5	18
	24	1.5	780	11	36

Remarks The current above is open outlet current, when contact to circulation system the current will cut down to 55%~65% of Rated current.

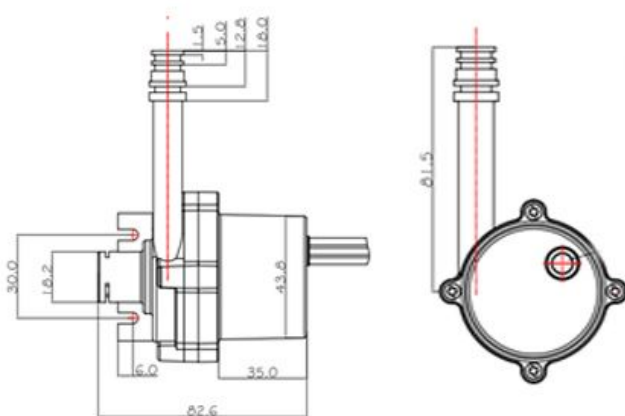
Notice

- Runs in the condition of the pump chamber without liquid is not allowed.
- Reversely connects the power polarity is not allowed.
- Filter measures should be taken when used in foul water environment.
- Runs in the acid and alkali environment is not allowed.
- Ambient temperature and fluid temperature should be within the rated temperature.
- Only DC power can be used.

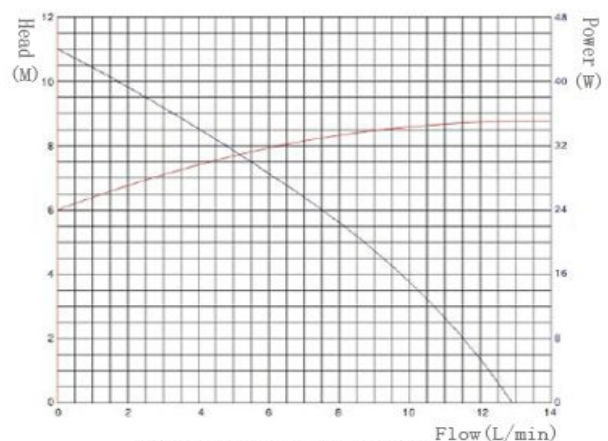
Specification

Specs

NO	Items	Specs
1	Sizes	82.6x52x107
2	Dimension of inlet	Water heater special inlet
3	Dimension of outlet	Water heater special outlet
4	Pump material	PPE
5	Condition of use	Continuously
6	Fluids	Water, oil [Provide acid and alkali solution]
7	Ambient temperature	-25~65°C
8	Max fluid temperature	80 °C
9	Power consumption	12W~36W
10	Rated voltage	12V/24Vdc
11	Voltage used	9.5Vdc ~ 13.5Vdc or 12Vdc ~ 26.5Vdc
12	Noise	<45dB
13	Water proof class	IP62(Submersible installed optional)
14	Life span	More than 25000hrs
15	Power supply	Solar panel; DC electric source; battery



Dimension



P5005 24V Head-Flow curve graph

Head-Flow curve graph