



P6005 Series Mini Water Pump

Application

- Laser cooling machine .
- CW3000 Chiller,
- Circulating systems for homes, RV's and boats.
- Laser cutting machine, Marking Machine, Engraving machine.
- Semiconductor , machine , medical water circulation ,etc.

Feature

- FG signal .
- Ceramic sleeve and ceramic shaft, long life.
- Stall protection, Slipping protection .
- PWM/Manual speed control function [optional]
- EMC compatibility test passed, no harassment signal .



Parameter

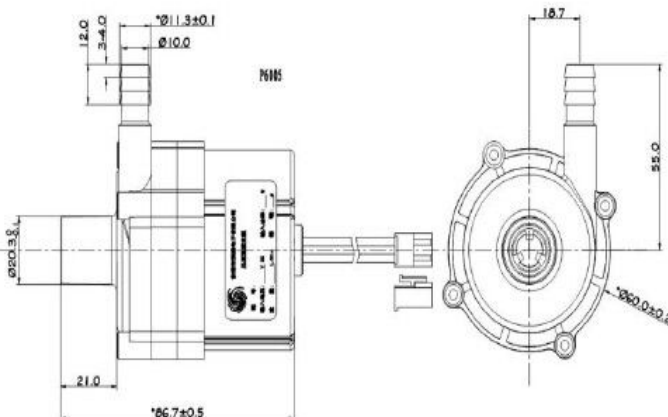
Parameter (only for reference, it can be customized)						
Model	Voltage	Rated Current	Max flow	Max head	Power	
	V	A	L/H	M	W	
P6005	12	3	1020	8	36	
	24	1.5	1020	8	36	
	24	2.2	1200	12	55	
Remarks	The current above is open outlet current, when contact to circulation system the current will cut down to 55%~65% of Rated current.					

Notice

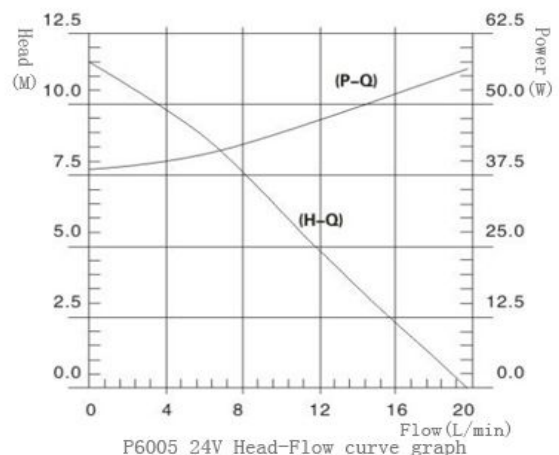
- Runs in the condition of the pump chamber without liquid is not allowed.
- Reversely connects the power polarity is not allowed.
- Filter measures should be taken when used in foul water environment.
- Runs in the acid and alkali environment is not allowed.
- Ambient temperature and fluid temperature should be within the rated temperature.
- Only DC power can be used.

Specification

NO	Items	Specs
1	Sizes	86.7x60x85
2	Dimension of inlet	20mm
3	Dimension of outlet	11mm
4	Pump material	Can be customized
5	Condition of use	Continuously
6	Fluids	Water, oil [Provide acid and alkali solution]
7	Ambient temperature	-20~45℃
8	Max fluid temperature	60℃
9	Power consumption	36W~55W
10	Rated voltage	12V/24Vdc
11	Voltage used	9.5Vdc ~ 13.5Vdc or 12Vdc ~ 26.5Vdc
12	Noise	<45dB
13	Water proof class	IP30
14	Life span	More than 25000hrs
15	Power supply	Solar panel; DC electric source; battery



Dimension



Head-Flow curve graph