



P6028 Series Mini Water Pump

Application

- Plumbing mattress hot water circulation.
- Floor heating system
- Circulating systems for homes.
- Bathing machine.
- Boiler .
- CPU cooling etc.

Feature

- Can endure 70°C high temperature.
- Over temperature protection ,23dB low noise
- Stall protection , Slipping protection .
- PWM speed control function.
- EMC compatibility test passed, no harassment signal .



Parameter

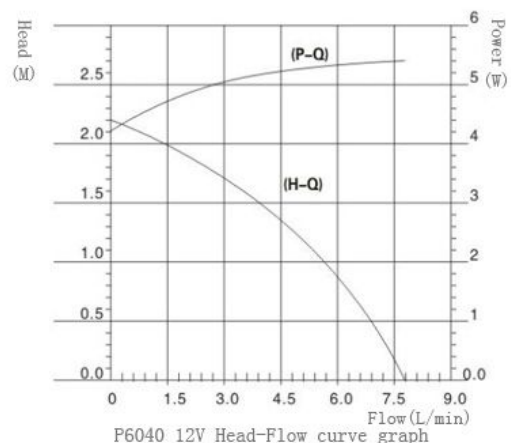
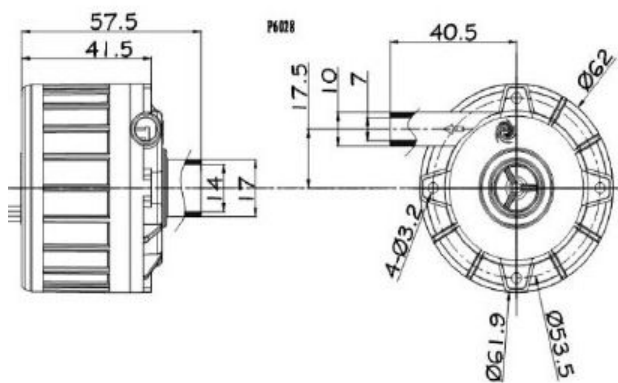
Parameter (only for reference, it can be customized)					
Model	Voltage	Rated Current	Max flow	Max head	Power
	V	A	L/H	M	W
P6028	12	0.25	420	1	3
	12	0.5	540	2	6
	24	0.13	420	1	3
	24	0.25	540	2	6
Remarks	The current above is open outlet current, when contact to circulation system the current will cut down to 55%~65% of Rated current.				

Specification

NO	Items	Specs
1	Sizes	41.5x62x71.5
2	Dimension of inlet	17mm
3	Dimension of outlet	7mm
4	Pump material	PPE
5	Condition of use	Continuously
6	Fluids	Water, oil, [Provide acid and alkali solution]
7	Ambient temperature	-25~45°C
8	Max fluid temperature	70°C
9	Power consumption	3W~6W
10	Rated voltage	12V/24Vdc
11	Voltage used	9.5Vdc ~ 13.5Vdc or 12Vdc ~ 26.5Vdc
12	Noise	<23dB
13	Water proof class	IP62(Submersible installed optional)
14	Life span	More than 25000hrs
15	Power supply	Solar panel; DC electric source; battery

Notice

- Runs in the condition of the pump chamber without liquid is not allowed.
- Reversely connects the power polarity is not allowed.
- Filter measures should be taken when used in foul water environment.
- Runs in the acid and alkali environment is not allowed.
- Ambient temperature and fluid temperature should be within the rated temperature.



Dimension

Head-Flow curve graph