



P6201 Series Mini Water Pump

Application

- Pure electric buses motor control system hot water circulation
- Hybrid buses motor control system hot water circulation
- Engine cooling water circulation.
- .15KW Parking heater hot water circulation

Feature

- Reverse voltage protection .
- Working status monitoring .
- Stall protection.
- PWM/Manual speed control function [optional].
- Slipping protection .



Parameter

Parameter (only for reference, it can be customized)

Model	Voltage V	Rated Current A	Max flow L/H	Max head M	Power W
P6201	12	3.1	1800	7	37.5
	24	1.6	1800	7	37.5
	24	2.3	2220	9	55

Remarks: The current above is open outlet current, when contact to circulation system the current will cut down to 55%~65% of Rated current.

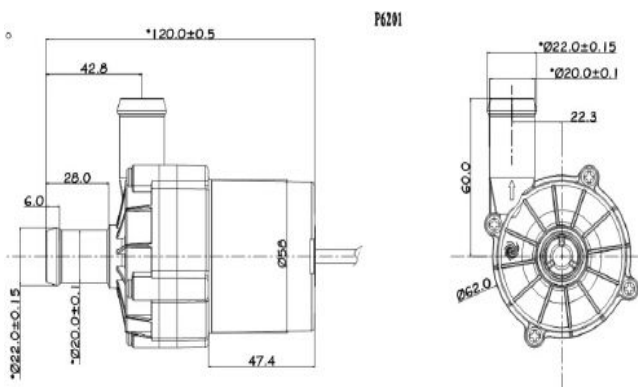
Notice

- Runs in the condition of the pump chamber without liquid is not allowed.
- Reversely connects the power polarity is not allowed.
- Filter measures should be taken when used in foul water environment.
- Runs in the acid and alkali environment is not allowed.
- Ambient temperature and fluid temperature should be within the rated temperature.
- Only DC power can be used.

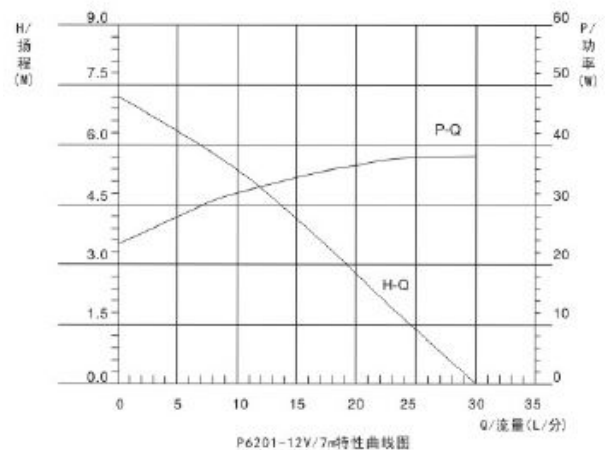
Specification

Specs

NO	Items	Specs
1	Sizes	120x62x91
2	Dimension of inlet	20mm
3	Dimension of outlet	20mm
4	Pump material	Can be customized
5	Condition of use	Continuously
6	Fluids	Water, oil [Provide acid and alkali solution]
7	Ambient temperature	-40~125℃
8	Max fluid temperature	120 ℃
9	Power consumption	37.5W~55W
10	Rated voltage	12V/24Vdc
11	Voltage used	12Vdc ~ 26.4Vdc
12	Noise	<45dB
13	Water proof class	IP65(Submersible installed optional)
14	Life span	More than 30000hrs
15	Power supply	DC electric source; battery



Dimension



Head-Flow curve graph