



P8001 Series Mini Water Pump

Application

- Pure electric buses motor control system hot water circulation
- Hybrid buses motor control system hot water circulation
- Engine cooling water circulation.
- 12KW Parking heater hot water circulation

Feature

- Reverse voltage protection .
- Working status monitoring .
- Stall protection.
- PWM/Manual speed control function [optional].
- Slipping protection .



Parameter

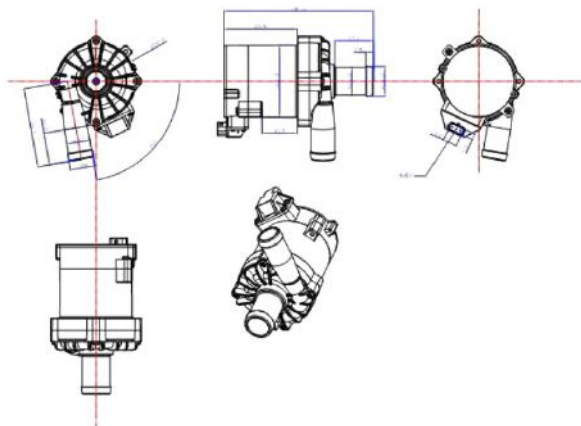
Parameter (only for reference, it can be customized)					
Model	Voltage	Rated Current	Max flow	Max head	Power
	V	A	L/H	M	W
P8001	13.5	5.8	1542	6	78.3
	13.5	5.7	1362	7	76.95
	13.5	5.4	1116	8	72.9
Remarks	The current above is open outlet current, when contact to circulation system the current will cut down to 55%~65% of Rated current.				

Notice

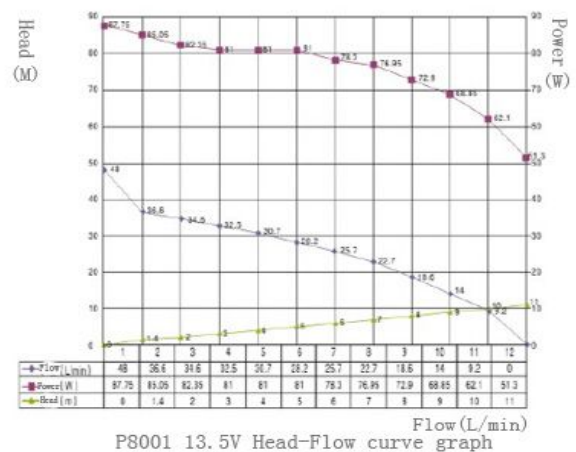
- Runs in the condition of the pump chamber without liquid is not allowed.
- Reversely connects the power polarity is not allowed.
- Filter measures should be taken when used in foul water environment.
- Runs in the acid and alkali environment is not allowed.
- Ambient temperature and fluid temperature should be within the rated temperature.
- Only DC power can be used.

Specification

NO	Items	Specs
1	Sizes	120x62x91
2	Dimension of inlet	20mm
3	Dimension of outlet	20mm
4	Pump material	Can be customized
5	Condition of use	Continuously
6	Fluids	Water, oil [Provide acid and alkali solution]
7	Ambient temperature	-40~125℃
8	Max fluid temperature	120 ℃
9	Power consumption	78.3W~72.9W
10	Rated voltage	13.5Vdc
11	Voltage used	13.5Vdc
12	Noise	<45dB
13	Water proof class	IP65(Submersible installed optional)
14	Life span	More than 30000hrs
15	Power supply	DC electric source; battery



Dimension



Head-Flow curve graph